

# TrimCutter 80

## INFORMATION

TrimCutter is a simple movable "all-in-one" unit for capturing, cutting, collection of edge trim from process machines.

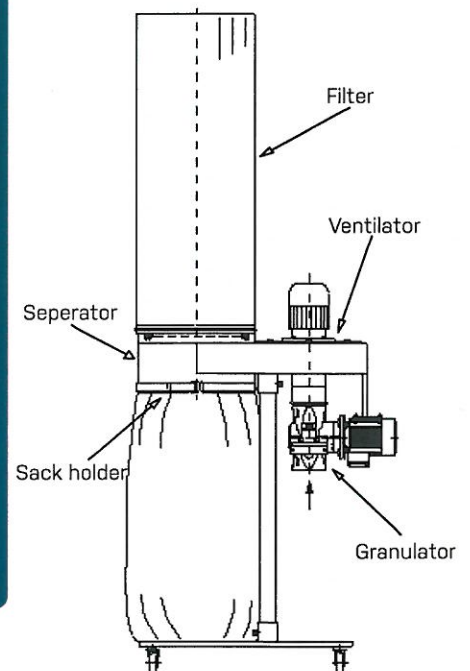
Lundberg Tech TrimCutter 80 consist of:

- Silencer
- Granulator GR80U
- Separator
- Filter
- Sack holder
- El control



## Technical Data:

Maximum width of edge trim	Up to 2x25 mm
Maximum air capacity	800 m <sup>3</sup> / hour
Maximum speed	250 m / min.
Maximum pipe size	Dia. 100 transfer
Maximum suction distance	Up to 5m
Number of connected machines	1
Size (LxWxH)	980 x 470 x 2470
Weight	85 kg
Motor kW	Granulator 0,55 kW Ventilator 1,1 kW



# WasteTech 80

# WasteTech 140

## INFORMATION

WasteTech " all-in-one" unit for capturing, cutting and collection of edge trim waste from process machines. WasteTech delivers a constant high performance due to an self cleaning granulator and ventilator design.

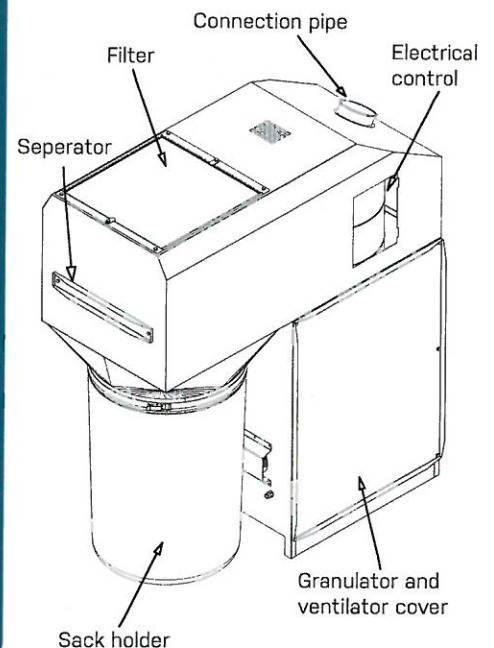
Lundberg Tech WasteTech consist of:

- Funnel
- Silencer
- Granulator
- Ventilator inside cabinet
- Separator inside cabinet
- Filter inside cabinet
- Sack holder
- El control



## Technical Data

	WasteTech 80	WasteTech 140
Maximum width of edge trim	Up to 2 x 40 mm	Up to 2 x 60 mm
Maximum air capacity	800 m <sup>3</sup> / hour	1600 m <sup>3</sup> / hour
Maximum speed	250 m / min.	300 m / min.
Maximum pipe size	Dia. 125 transfer	Dia. 160 transfer
Maximum suction distance	Up to 5 m	Up to 20 m
Number of connected machines	1	3
Size (LxWxH)	1200 x 700 x 1850	1700 x 800 x 2000
Weight	150 kg	230 kg
Motor kW	Granulator 0,75 kW Ventilator 1,1 kW	Granulator 0,75 kW Ventilator 2,2 kW
Color	RAL5010	RAL5010



# MatrixCutter 140

## INFORMATION

MatrixCutter 140 is a special designed " all-in-one" unit for capturing, cutting, collection and compacting of matrix waste from web process machines.

Lundberg Tech MatrixCutter 140 consist of:

- Funnel
- Silencer
- Granulator GR140MS Matrix
- Ventilator with frequency converter inside cabinet
- Separator inside cabinet
- Filter inside cabinet
- Compactor
- El control



## Technical Data:

Maximum width of matrix	Up to 550mm
Maximum air capacity	1600 m <sup>3</sup> / hour
Maximum speed	150 m / min.
Maximum pipe size	Dia. 160 transfer
Maximum suction distance	Up to 10m
Number of connected machines	1
Size (LxWxH)	1980 x 1015 x 2865
Weight	680 kg
Motor kW	Granulator 1,1 kW Ventilator 2,2 kW Compactor 3,0 kW

